

## DESCRIPTION

AMC MODEL SWM-DJV-1DT-2ATT OPTIONS: 118, HS10NS, HI70DB IS A SINGLE POLE SINGLE THROW ABSORPTIVE/NON-REFLECTIVE SWITCH MODULE WITH VERY LOW VIDEO TRANSIENTS, ULTRA HIGH SPEED, HIGH ISOLATION AND WITH INTEGRAL TTL DRIVER, DESIGNED FOR 1 TO 18 GHz OPERATION.

## SPECIFICATIONS

- FREQUENCY RANGE: ..... 1 TO 18 GHz
- INSERTION LOSS: ..... 4.0 dB MAXIMUM
- ISOLATION: ..... 1-6 GHz: 60 dB MINIMUM  
6-18 GHz: 70 dB MINIMUM
- VSWR: ..... 2.0:1
- RISE TIME: ..... 2 nSec MAXIMUM
- FALL TIME: ..... 2 nSec MAXIMUM
- DELAY ON: ..... 10 nSec MAXIMUM
- DELAY OFF: ..... 10 nSec MAXIMUM
- POWER INPUT: ..... +20 dBm
- SURVIVAL POWER: ..... 1 WATT CW, 10 WATTS PEAK 1 uSec
- CONTROL: ..... TTL LOGIC "0" = ON  
TTL LOGIC "1" = OFF
- POWER SUPPLY: ..... -5V @ 25 mA MAXIMUM
- VIDEO TRANSIENT: ..... 20 mV P-P @ 300 MHz BANDWIDTH (2-20 GHz)  
4 mV P-P @ 20 MHz BANDWIDTH (2-20 GHz)  
150 mV P-P @ 300 MHz BANDWIDTH (DC-20 GHz)  
50 mV P-P @ 20 MHz BANDWIDTH (DC-20 GHz)
- CONNECTORS:  
RF: ..... SMA FEMALE  
CONTROL: ..... SOLDER PIN
- SIZE: ..... 1.20" (L) x 1.00" (W) x 0.50" (H)
- WEIGHT: ..... 1.5 OUNCE TYPICAL

## OPTIONS:

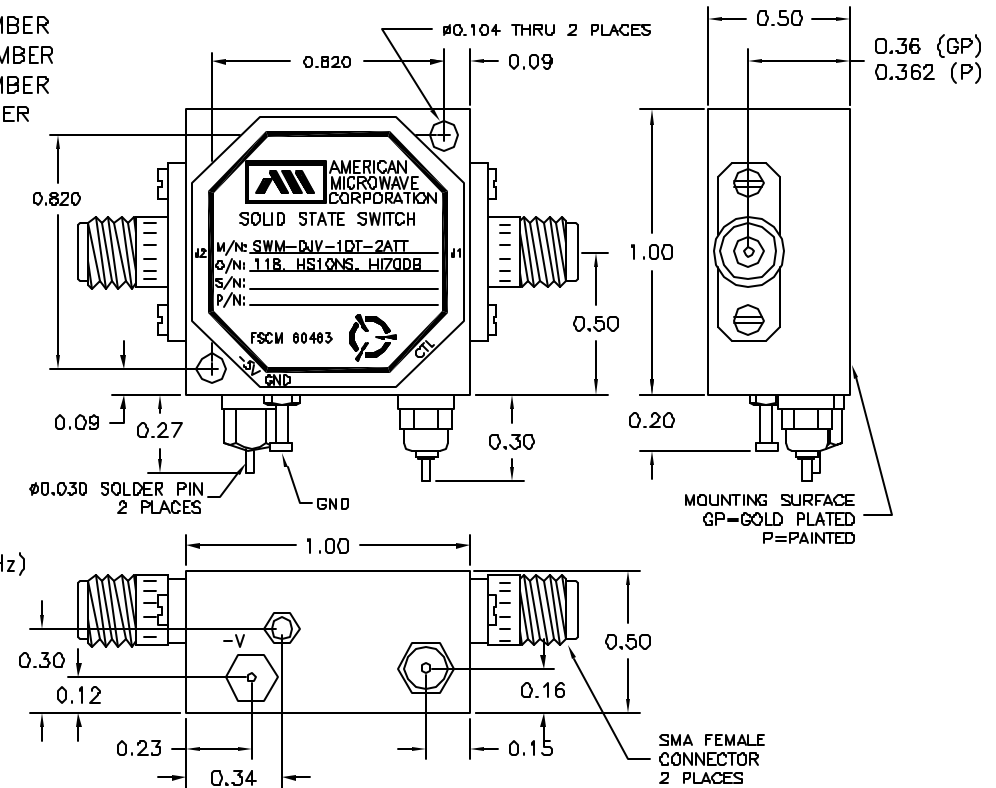
- 118: ..... 1 TO 18 GHz FREQUENCY RANGE
- HS10NS: ..... HIGH SPEED OF 10 nSec
- HI70DB: ..... HIGH ISOLATION OF 70 dB MINIMUM

## ENVIRONMENTAL RATINGS:

- TEMPERATURE: ..... -55°C TO +85°C (OPERATING)  
-65°C TO +125°C (STORAGE)
- HUMIDITY: ..... MIL-STD-202F, METHOD 103B COND. B
- SHOCK: ..... MIL-STD-202F, METHOD 213B COND. B
- VIBRATION: ..... MIL-STD-202F, METHOD 204D COND. B
- ALTITUDE: ..... MIL-STD-202F, METHOD 105C COND. B
- TEMPERATURE CYCLE: ..... MIL-STD-202F, METHOD 107D COND. A

NOTE: SPECIFICATIONS WILL VARY OVER OPERATING TEMPERATURE  
NOTE: THE ABOVE SPECIFICATIONS ARE SUBJECT TO CHANGE OR REVISION

M/N: = MODEL NUMBER  
O/N: = OPTION NUMBER  
S/N: = SERIAL NUMBER  
P/N: = PART NUMBER



ALL DIMENSIONS ARE IN INCHES  
TOLERANCES:  
XXX ±0.020  
XXX ±0.010

REVISIONS				
ZONE	REV.	DESCRIPTION	DATE	APPROVED
	-	ORIGINAL RELEASE JOB# 602034XN	4/19/06	

## AMERICAN MICROWAVE CORPORATION

7311-G GROVE ROAD  
FREDERICK, MARYLAND 21704 USA  
TEL: 301-662-4700 FAX: 301-662-4938  
WEBSITE: [www.americanmicrowavecorp.com](http://www.americanmicrowavecorp.com)  
E-MAIL: [sales@americanmicrowavecorp.com](mailto:sales@americanmicrowavecorp.com)  
ISO 9001:2000 CERTIFIED



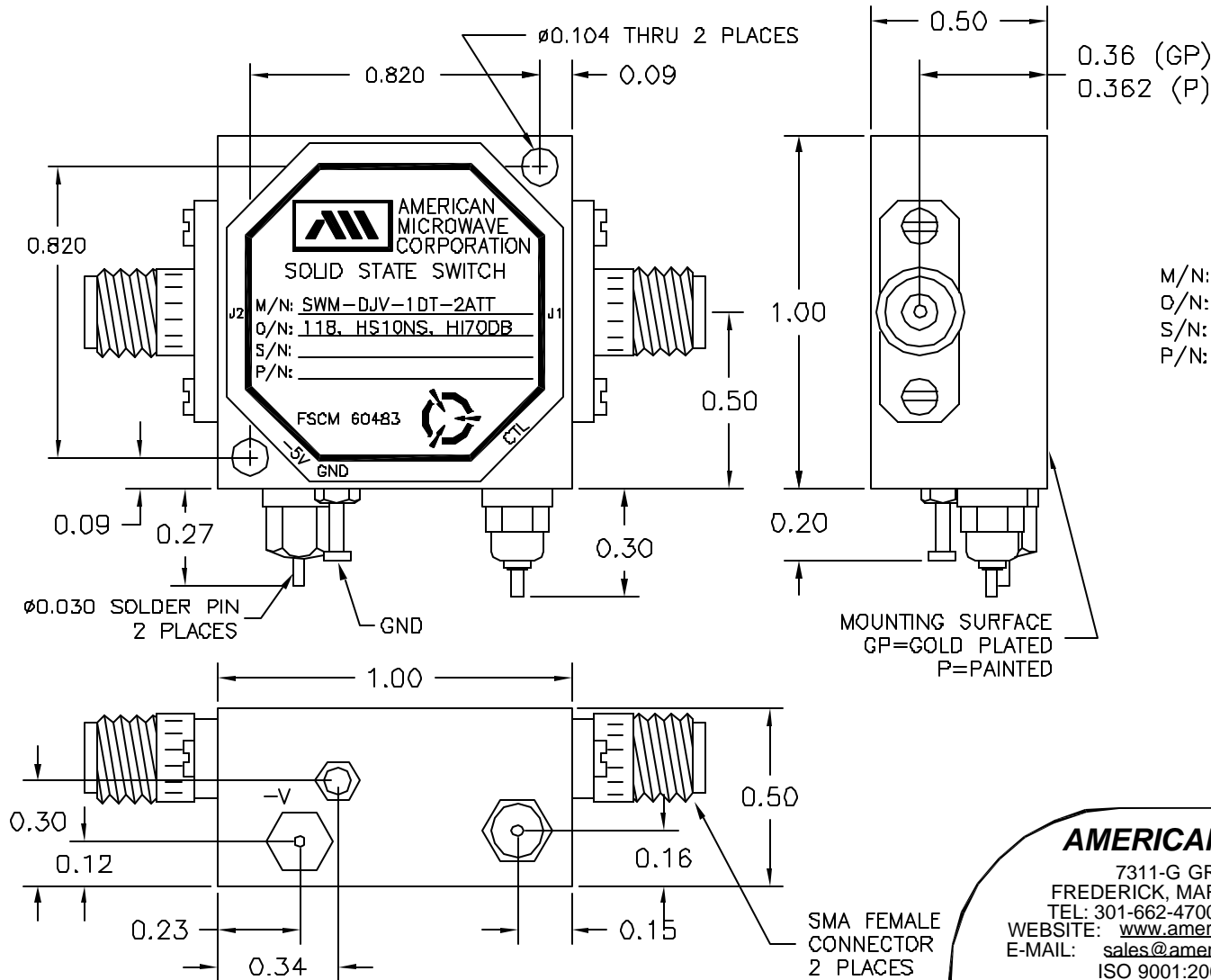
APPROVALS		DATE	TITLE		REV.
DRAWN	<i>FDF</i>	4/19/06	PRODUCT FEATURE SWM-DJV-1DT-2ATT OPTION: 118, HS10NS, HI70DB 1-18 GHz, SINGLE POLE SINGLE THROW SWITCH		-
CHECKED			SIZE	FSCM NO.	DWG NO.
ISSUED			A	60483	100-7640
			SCALE	N:S	SHEET 1 OF 4

## DESCRIPTION

AMC MODEL SWM-DJV-1DT-2ATT OPTIONS: 118, HS10NS, HI70DB IS A SINGLE POLE SINGLE THROW ABSORPTIVE/NON-REFLECTIVE SWITCH MODULE WITH VERY LOW VIDEO TRANSIENTS, ULTRA HIGH SPEED, HIGH ISOLATION AND WITH INTEGRAL TTL DRIVER, DESIGNED FOR 1 TO 18 GHZ OPERATION.

REVISIONS				
ZONE	REV.	DESCRIPTION	DATE	APPROVED
	-	ORIGINAL RELEASE JOB# 602034XN	4/19/06	

## MECHANICAL OUTLINE



ALL DIMENSIONS ARE IN INCHES  
 TOLERANCES:  
 X.XX ±0.020  
 X.XXX ±0.010

## AMERICAN MICROWAVE CORPORATION

7311-G GROVE ROAD  
 FREDERICK, MARYLAND 21704 USA  
 TEL: 301-662-4700 FAX: 301-662-4938  
 WEBSITE: [www.americanmicrowavecorp.com](http://www.americanmicrowavecorp.com)  
 E-MAIL: [sales@americanmicrowavecorp.com](mailto:sales@americanmicrowavecorp.com)  
 ISO 9001:2000 CERTIFIED



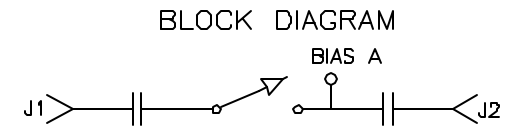
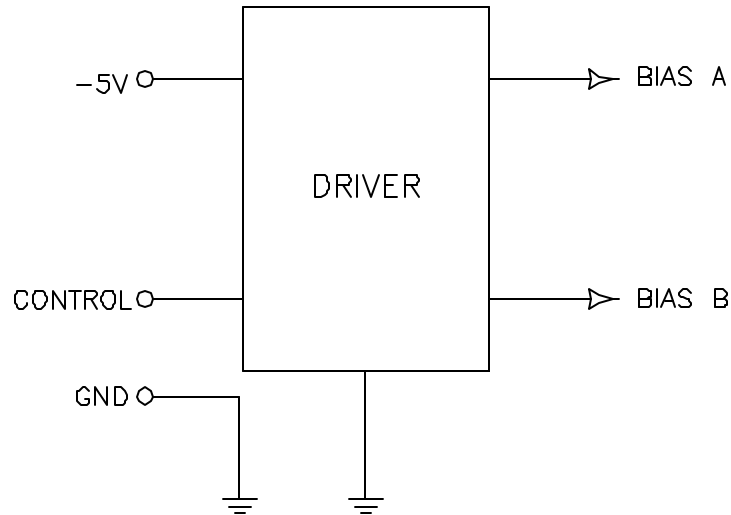
APPROVALS		DATE	TITLE		
DRAWN	<i>FDS</i>	4/19/06	MECHANICAL OUTLINE SWM-DJV-1DT-2ATT OPTION: 118, HS10NS, HI70DB 1-18 GHZ, SINGLE POLE SINGLE THROW SWITCH		
CHECKED			SIZE	FSCM NO.	DWG NO.
ISSUED			A	60483	100-7640
			SCALE	N:S	SHEET 2 OF 4

**DESCRIPTION**

AMC MODEL SWM-DJV-1DT-2ATT OPTIONS: 118, HS10NS, HI70DB IS A SINGLE POLE SINGLE THROW ABSORPTIVE/NON-REFLECTIVE SWITCH MODULE WITH VERY LOW VIDEO TRANSIENTS, ULTRA HIGH SPEED, HIGH ISOLATION AND WITH INTEGRAL TTL DRIVER, DESIGNED FOR 1 TO 18 GHZ OPERATION.

REVISIONS				
ZONE	REV.	DESCRIPTION	DATE	APPROVED
	-	ORIGINAL RELEASE JOB# 602034XN	4/19/06	

**FUNCTIONAL BLOCK DIAGRAM**



**AMERICAN MICROWAVE CORPORATION**

7311-G GROVE ROAD  
 FREDERICK, MARYLAND 21704 USA  
 TEL: 301-662-4700 FAX: 301-662-4938  
 WEBSITE: [www.americanmicrowavecorp.com](http://www.americanmicrowavecorp.com)  
 E-MAIL: [sales@americanmicrowavecorp.com](mailto:sales@americanmicrowavecorp.com)  
 ISO 9001:2000 CERTIFIED



APPROVALS		DATE	TITLE	
DRAWN <i>FDF</i>		4/19/06	FUNCTIONAL BLOCK DIAGRAM SWM-DJV-1DT-2ATT	
CHECKED			OPTION: 118, HS10NS, HI70DB 1-18 GHZ, SINGLE POLE SINGLE THROW SWITCH	
ISSUED			SIZE A	REV. -
			FSCHM NO. 60483	DWG NO. 100-7640
			SCALE N:S	SHEET 3 OF 4